

User Manual for all Models

www.cheap-lag-switches.com & www.bestlag.com



Great information about your new Magic Lag Switch

This User Manual can be printed for easier reading and future reference

We thank you for your purchase !!!

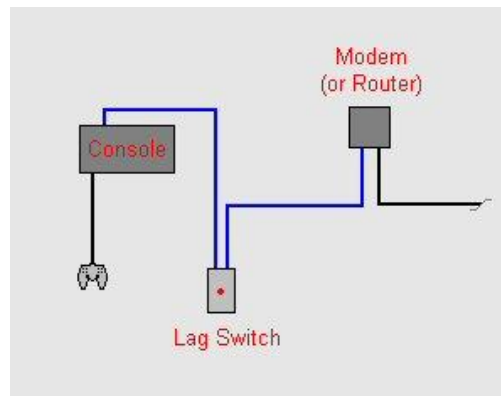
Overview of working the Lag Switch

Our Lag Switch was built to only interrupt the send signal to the game servers; you will not be able to see any changes on your TV screen while you are pressing or tapping the push button. You can verify your lag time by asking a teammate to watch you while you are moving around and tapping or pressing the push button. Please take the time to fully read the manual before connecting or using your new Magic Lag Switch.

PAGE INDEX

Connecting the Magic Lag Switch	Section 1
Connecting to wired consoles	1A
Connecting to wireless consoles	1B
Note about connecting	1C
Using your new Magic Lag Switch	Section 2
Trouble Shooting	Section 3
Loose Connector	3A
Disconnects	3B
Rebooting modem / router	3C
Won't connect to server	3D
Final Thoughts	Section 4
Return Policy (US Customers Only)	Section 5
Disclaimer	Section 6

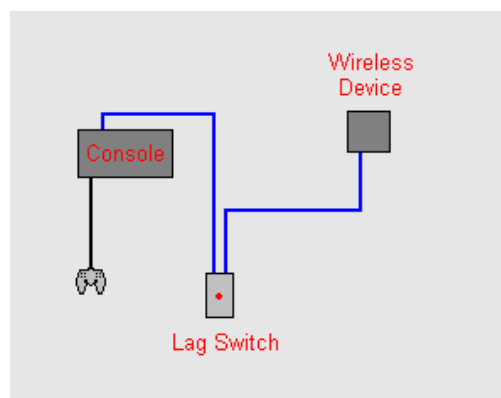
Connecting to wired consoles - Section 1A



Remove existing cable between your gaming console (PS3, PS2, XBox, 360 or PC) and modem (or router). Connect the lag cable into your modem (or router), connect the other lag cable into your console. You're ready to start lagging !

Please note: if you have a very slow upload speed (under 1.5MB), you may not be able to create lag and will only experience disconnects from many of the online game. To test your connection speed (Bandwidth), please visit: <http://www.speakeasy.net/speedtest/> and pick a city closest to your location to check your "upload" speed. Also, some 360 consoles require that the Lag Switch connect between a modem and a router to create lag, so this example will not work in some cases...

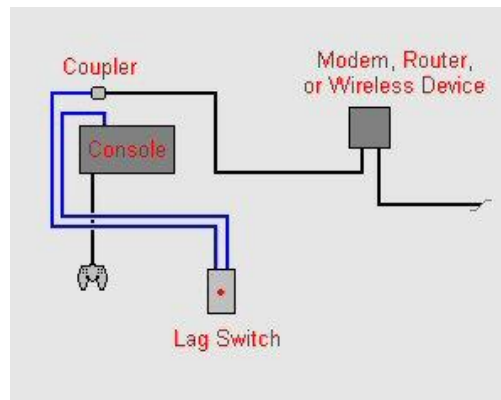
Connecting to wireless consoles – Section 1B



Remove existing cable between your gaming console (PS3, PS2, XBox, 360 or PC) and the wireless device. Connect the lag cable into your wireless device, connect the other lag cable into your console. You're ready to start lagging !

Please note: If you are using a Linksys Game Adapter or any other type of wireless device, please understand that we have found in our testing (and also confirmed by a few of our customers) that if you have a very slow upload speed (under 6MB), you may not be able to create lag and will only experience disconnects from the online game. To test your connection speed (Bandwidth), please visit: <http://www.speakeasy.net/speedtest/> and pick a city closest to your location, only look at the "upload" speed.

Note about connecting – Section 1C



If your wireless device has a non-removable cable or you can not reach your modem (or router) with our 20' Lag Switch cables, use an Ethernet coupler to extend your existing cable to your console.

You can also use an Ethernet coupler to extend your lag switch cables, just make sure you do not exceed 100' (30.5 meters) and also that you have over 4MB worth of Upload speed. To test your connection speed (Bandwidth), please visit: <http://www.speakeasy.net/speedtest/> and pick a city closest to your location, only look at the "upload" speed.

Using your new Lag Switch – Section 2

Once the cables are connected and you have attached the Lag Switch to your controller with the provided Velcro, log online, once the room (not lobby) has started, lightly tap (only once) the push button to create 5 seconds of lag. Wait 5-10 seconds, and then tap again to lag 5 more seconds.

You won't be able to see any changes on your TV screen because our Lag Switch only effects the send transmission across the network. The best and only way to know how well you're lagging is to ask a teammate to watch you, while you tap the push button and moving around.

Once you get comfortable with the "tapping" technique, you can start to experiment with holding the button down longer. Just remember, what ever time you hold the button down, you'll need to wait that same amount of time (plus some) before holding the button again.

Example : When we chose to lag, we can hold the button down for 2 or 3 seconds, then release the button, wait 5 or 6 seconds (this allows the game servers to catch you back up), then we can hold down the button for another 2 or 3 seconds to continue the lag time.

Loose Connector – Section 3A

The Lag Switch cables won't stay in the console, modem, or router:

Retaining Tab



Locate the Retaining Tab on the connector, gently pull the tab up to almost a 45 degree angle, and then try connecting the cable again.

Disconnects – Section 3B

When tapping the Lag Switch Button during the game, it disconnects (boots you back to the lobby or offline)

Sometimes your home network slow down and even with a short tap of the push button, it will disconnect you, we would suggest rebooting you modem and also rebooting you router if you using one.

Always make sure all the cables are connected, reboot the modem first, wait for the modem to fully boot up and then reboot the router. Wait for the router to fully boot up before connecting to your favorite game.

Please see next section on Rebooting Modem / Router for more information.

Though you can lag on most games, please understand that if you do not have the enough bandwidth, you will not be able to lag on any games and will experience always disconnections.

We have averaged most games to be able to produce about 5 seconds of lag. If you're experiencing disconnects from holding down the button for more that 5 seconds, try not holding it down for so long and/or increase your time between button presses.

Some combined modem/router (a modem that has multiple Ethernet ports) will not create lag and only disconnect, if you have one of these devices and a reboot will not help with disconnects, please contact your ISP to swap it out for a regular modem.

Please note: Even if you have a good upload speed, you may not be able to create lag because of the recent gaming server updates and patches to stop the use of Lag Switches... Please see the Disclaimer Section...

Rebooting modem / router – Section 3C

Rebooting will not only increase your network connection speed, it will increase your lag time too and keep you from disconnecting when you tap or when hold the button down (for a short time).

Also rebooting your devices will fix the TV screen freezing (swap signals problems not associated with a miswired wall jacks or crossover cables)

There are two ways of rebooting the devices:

1: Unplug the power to each one of the devices for about 1 minute, this is called a “power cycle” and even though this has worked for many of our customers, we would suggest the next way of rebooting.

2: Locate the small “reset” button on the back of each device, with the power still on each device, press and hold the “reset” button for one minute.

Using either above method, always reboot the modem first, allow time for the modem to fully boot, then reboot the router, allow time for the router to fully boot, then log onto your favorite game and start lagging.

Please note: Rebooting the devices will also fix the TV screen freezing problems, unless you are using a miswired wall jack or cross over cable.

Won't connect to server – Section 3D

If you can't get online, reseal the cable into all the devices.

If that doesn't work, reverse the cables on the Lag Switches

Log onto your favorite game and start lagging.

Final Thoughts – Section 4

Though we designed this Lag Switch to have fun with, we do not condone its use in game battles, matches, or tournaments for rank or prizes. We can not be held responsible for any deleted accounts, suspensions, or bans.

Your new Lag Switch works really well, choose wisely when to use it and if anyone ask were you got it, feel free to tell them about www.BestLag.com or www.Cheap-Lag-Switches.com.

Return Policy (US Customers Only) – Section 5

If your new Lag Switch fails (physically breaks, does not cover non-operation) within the first 30 day after the purchase, we will be happy to exchange (or repair) the failed unit. This Repair Policy does not apply to any damage that happens in shipping or any abuse or misuse while using this product.

We do not refund, reimburse, or compensation for any shipping or return-shipping charges on the Lag Switches.

This Repair Policy does not apply to sales outside the US.

Disclaimer – Section 6

Though we have tested our Lag Switch on all video gaming platforms (PS3, PS2, XBOX, 360, and PC) and have found it to work very well, we have yet to test on every video game for those platforms. We have mainly focused our testing on most of the FPS, Third-Person, and RPG games and always found it to work very well, but if your video gaming is outside the scope of our testing, we are not sure how the Lag Switch will work.

If you can not use the Lag Switch because of your connection speed, connection type or equipment, please contact your ISP to fix the problem(s), replace your equipment, repair or upgrade your service and/or package.

We are not liable for sever updates or a change in the bandwidth requirements for the game you're trying to create lag on or the connection speed at your console. Many platforms are trying to stop the use of Lag Switches and some have recently been able to by some way of detecting the interruption of the send signal, most of those games will either ban your account or disconnect you from the game, please note that **all sales are final** and we will not refund your purchase for these or any other reason(s).

In short: Your purchase or use of our Lag Switch does not guarantee that you will be able to create lag on your connection, console, and/or game.

We have addressed every question we've heard since 2004 in this User Manual, we do not support the Lag Switch beyond this documentation.

Thank you for your purchase !!!

Take care and happy lagging,

Sales Team @ Best Lag / Cheap Lag Switches

www.bestlag.com & www.cheap-lag-switches.com

Updated: 01-01-11

SAFETY INFORMATION:

This product must be used with caution and common sense. It may require some manual dexterity and basic mechanical ability. Failure to use this product in a safe and responsible manner could result in injury, damage to the product or other property. It is essential to read and follow all the instructions and warnings prior to use in order to operate it correctly and avoid damage or injury. Due to possible choking hazard of the small parts contained inside of this product and a small amount of solder containing lead, we recommend this product is not for use by children under the age of 18 years old unless solely under the strict supervision of an adult that has fully read and understands the precautions given in this User Manual.

This User Manual is copyrighted material, do not duplicate !
www.cheap-lag-switches.com and www.BestLag.com © 2004, 2005, 2006, 2007, 2008, 2009, 2010, 2011
The Mini Velcro Magic Lag Switch design is the intellectual property of Cheap Lag Switches and Best Lag